



# xDirect™ Quick Start Guide

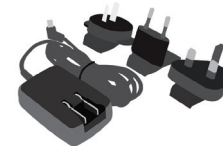
## WHAT'S IN THE BOX



Quick Start Guide



xDirect Device Server



Power Supply\*

5VDC with International adapters

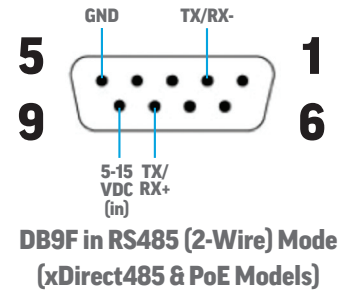
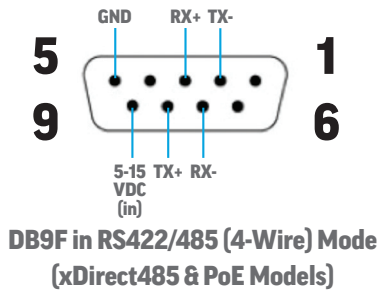
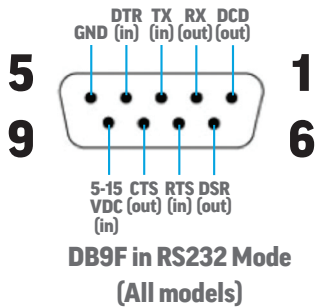
\*Not included with xDirectPoE version

## 1 HARDWARE REVIEW

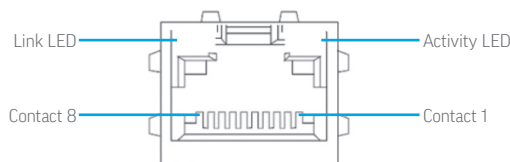


### xDIRECT PINOUTS

Depending on the xDirect™ model, the following pinouts apply



### RJ45 ETHERNET



## 2 HARDWARE INSTALLATION

1. Connect a serial device to the xDirect.
2. Connect an Ethernet cable to the RJ45 port.
3. For standard xDirect units, supply power to your unit using the power supply that was included in the packaging.
4. For the xDirect PoE version, power is supplied to your unit over an Ethernet interface using an 802.3af PoE compliant power source such as a PoE mid-span or PoE Ethernet switch.

**THIS COMPLETES THE HARDWARE INSTALLATION.**



# xDirect™ Quick Start Guide

## 3 DEVICE DISCOVERY OVER NETWORK

### INSTALL DeviceInstaller™

**REQUIREMENTS:** Computer must have a working ethernet adapter running Windows as the Operating System (OS). For device discovery, the computer and device should be connected to the same IP subnet.

1. Download the latest version of DeviceInstaller from <http://www.lantronix.com/downloads>. The minimum required version for DeviceInstaller is **4.3.0.7**.
2. Run the executable to start the installation process on the computer being used to configure the xDirect.
3. Follow the installation wizard prompts.

## 4 IP ADDRESS CONFIGURATION

### 1. Run DeviceInstaller

Click: **Start > Programs > Lantronix > DeviceInstaller > DeviceInstaller.**

2. Upon launch, DeviceInstaller will search for Lantronix devices on the network. Select the unit from the list of Lantronix devices on the local network. (You may also click on the **Search** icon if your device isn't found immediately.)
3. Click the **Assign IP** icon.
4. If prompted, enter the MAC address (on the product label) and click **Next**.
5. Select **Assign a Specific IP** address and click **Next**.
6. Enter the **IP Address**. The **Subnet Mask** displays automatically based on the IP address. If desired, you may change it. On a local network, you can leave the **Default Gateway** blank (all zeros). Click **Next**.
7. Click the **Assign** button and wait several seconds until a confirmation message displays. Click **Finish**.
8. Click on the "**Search**" icon and DeviceInstaller locates the unit and adds it to the list.

### If DeviceInstaller is unable to discover the xDirect:

- In Windows Device Manager, ensure that the ethernet adapter is installed and working properly.
- If your PC or laptop has more than one network interface, make sure the correct interface is selected in DeviceInstaller.
- Go to **Tools>Options** and make sure the correct network interface is selected. If not, check the correct interface, click on **OK**, and restart DeviceInstaller.
- Check the LED indicator on the xDirect™ to make sure there is a physical connection between the Ethernet adapter and the xDirect.

## 5 COMPLETE THE CONFIGURATION

Once the xDirect is in the device list, it can be configured.

1. Double-click the unit in the list. Details about the unit will be displayed.
2. Select the **Web Configuration** tab and click on the green arrow. You will be prompted for a username and password.

3. The default username is **admin** and default password is **PASS**.

For additional configuration, please refer to the xDirect User Guide for detailed instructions: <http://www.lantronix.com/support/downloads>

### Contact Technical Support

For technical support queries, visit <http://www.lantronix.com/support> or call (800) 422-7044 Monday – Friday from 6:00 a.m. – 5:00 p.m., Pacific Time, excluding holidays.

**Latest Firmware** For the latest firmware downloads, visit <http://www.lantronix.com/support/downloads>

**IP Address Assignment Tutorial** To view a tutorial on how to assign an IP address, visit <http://www.lantronix.com/support/tutorials>