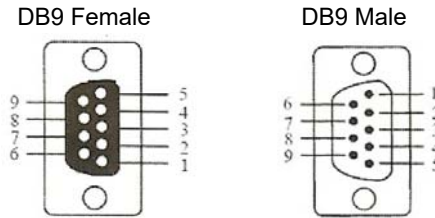


RS232 to RS485/422 Converter
With LED indication lights
Part no. XS202ELED

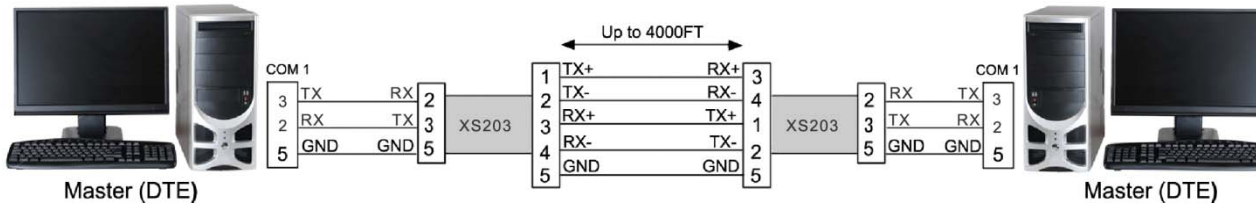


Pin no.	DB9 Female RS232 (DCE)	Pin no.	DB9 Male RS485	DB9 Male RS422
1	DCD	1	D+	TX+
2	TXD	2	D-	TX-
3	RXD	3		RX+
4	DTR	4		RX-
5	GND	5	GND	GND
6	DSR	6	5 VDC	5VDC
7	RTS	7		
8	CTS	8		
9	RI	9		

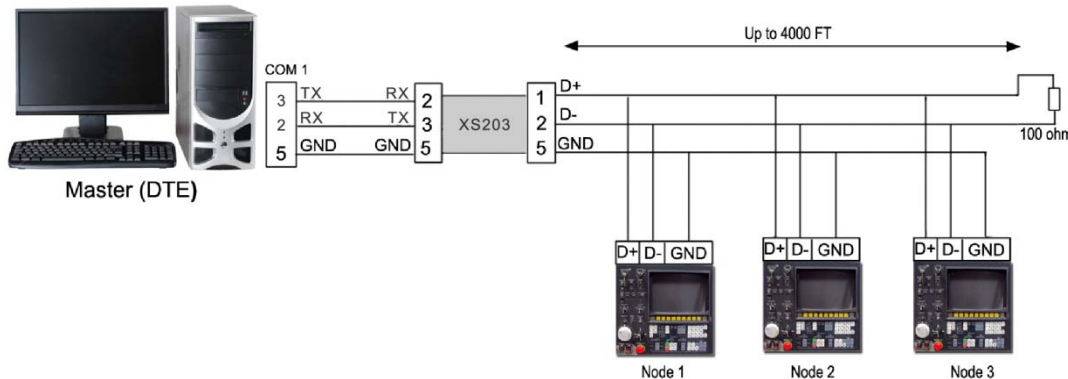
This RS232 to RS485 / RS422 converter is port powered from the RS232 port and at the same time it has LED indication lights which will show when data is present on the TX or RX lines. It will also show when the converter has sufficient power from the RS232 port. Most port powered RS232 to RS485 converters does not have these indication lights, however for troubleshooting or simply just to check if data is flowing, these lights are very convenient. Some RS232 ports does not provide sufficient power, in which case this converter can be powered by an external power source through the screw terminals.



Extending communication distance with RS422



Master/Slave Multi-drop configuration with RS485



SPECIFICATIONS	
Model number	XS202ELED
Baud rate	300 - 115200bps
Power	Port-powered from RS232 (RTS, DTR, TXD). Optional external power: 5 - 12VDC
Current consumption	< 10mA
Interface RS232	DB9 female connector Pin 7 (RTS) and 8 (CTS) are tied together. Pin 4 (DTR), 6 (DSR), and 1 (CD) are tied together.
Interface RS485/422	DB9 male / terminal board
Working mode	2-wire RS485 half-duplex and 4-wire RS422 full-duplex
Standards	EIA/TIA RS-232C / RS485 / RS422
Transmission distance	RS232: Typical: 15 FT RS485/422: Typical: 4000 FT.
Static and protection	1500W, 600W/ms
Handshake / flow control	Automatic Send Data Control
Certifications	CE, FCC, RoHS ISO 9001 Certified
Operating Temp.	-13°F to 158°F (-25°C to 70°C)
Operating humidity	5% To 95% - No Condensation
Dimensions	60 mm x 40 mm x 20 mm
Warranty	1-year limited warranty
ECCN	4A994.a
Schedule B	8471.80.1000
HTS	8517.18.0050

To access technical support, please visit the U.S. Converters website at: www.USconverters.com
Here you will find:

- Latest drivers and updates for download
- Technical tips
- Documentation
- Configuration support
- and much more...

Feel free to contact our technical support team at mail@usconverters.com with any issues.

Copyrights © U.S. Converters