

Serial to Ethernet Converter
Bit Commander
Part no. US2000A/B



The Bit Commander US2000A/B is a light-industrial grade serial RS232 / RS485 to Ethernet converter which can be used to connect any standard RS232 or RS485 serial device to a computer over a standard Ethernet network. It has a strong aluminum housing with screw mounting holes for easy installation which makes it ideal for most factory environments and other commercial facilities.

This converter is designed around the ARM Cortex-M3 / M4Fchipset which makes it a very reliable converter with several advanced features and functions. The included virtual COM software will allow you to create two serial ports, one RS232 and one RS485 which can be used individually at the same time.

The parameters of the adapter can be configured by a web-browser, through the serial port or by using the downloadable configuration software.

Please download the latest drivers and user guides for this product from:

www.USconverters.com

Default parameters:

IP address: 192.168.0.7
COM port 0: LAN port 23
COM port 1: LAN port 26

User: admin
Password: admin



Model number	US2000A / B
Operating system	Virtual COM software included for: Windows 10, 8, 7 32/64-bit, Vista, XP
Processor	US2000A: ARM Cortex-M3 US2000B: ARM Cortex-M4F
Serial driver	Sipex SP3232
No. of serial ports	1 port RS-232, male DB9 1 port RS485 screw terminal Ports can be used individually at the same time. PORT0 represent RS232, PORT1 represent RS485.
Baud rate	Port 0 (RS232): 600 - 230400 bps Port 1 (RS485): 600 - 230400 bps (US2000B also supports non-standard custom baud rates)
Data bits	5, 6, 7, 8
Parity	None, Odd, Even, Mark, Space
Stop bits	1, 2
Flow control	RS232: Hardware (RTS/CTS), Software (XON/XOFF), None, RAW mode (all lines). RS485: Automatic Send Control, Software (XON/XOFF), None
RS232 signals	TX, RX, RTS, CTS, GND
RS485 signals	D+, D-
Ethernet port	RJ45, Auto-MDI/MIDX, 2KV isolation
Network Protocols	TCP Server, TCP Client, UDP, UDP Server, HTTPD Client, DHCP, Web to serial, TCP Auto, ModBus TCP/RTU
Number of simultaneous connections (clients).	8 clients for each port (in TCP mode)
Dynamic DNS support	Yes
ModBus compatible	Yes (TCP and RTU)
Parameter configuration	Web browser Software utility
Telnet configuration	No
Operating voltage	US2000A: 5 - 18VDC, 1500mA (max) US2000B: 5 - 36VDC, 1500mA (max)
Operating temp.	-13°F to 176°F (-25°C to 80°C)
Dimensions	80×83×25mm
Certifications	FCC / CE / RoHS

Included items:

- ◆ US2000A/B x 1

Indicator Lights

Indicator	Function	Description
Red LED	Power on	Converter has power
Green LED	Working	Flash memory working

Reset button:

US2000A

The reset button is used for resetting the converter back to factory settings. When the Ready LED is on, depress the reset button for more than 1 second and release, wait about 10 seconds until the converter has rebooted. After releasing the reset button the green "Ready" LED light should turn off and then come ON again after the module has rebooted. The converter is now reset to factory defaults.

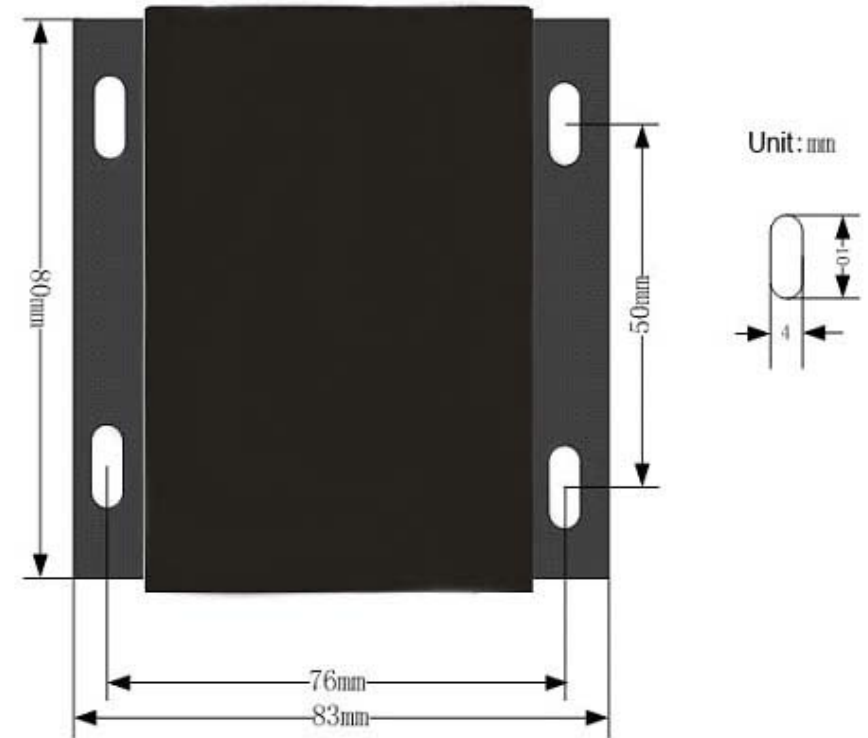
US2000B

The reset button can be used to reboot the converter by pressing the button momentarily while the converter is powered ON. The reset button can also be used to reset the converter to factory defaults as following:

1. Power off the converter
2. Press and hold the reset button
3. Power on the converter
4. Wait 5 seconds while pressing the reset button
5. Release reset button

The converter is now reset to factory defaults.

Pin configuration	
Pin no.	RS232 DB9 Male
1	-
2	RX
3	TX
4	-
5	GND
6	-
7	RTS
8	CTS
9	-



To access technical support, please visit the U.S. Converters website at: www.USconverters.com
Here you will find:

- Latest drivers and updates for download
- Technical tips
- Documentation
- Configuration support
- and much more...

Feel free to contact our technical support team at mail@usconverters.com with any issues.

Copyrights © U.S. Converters