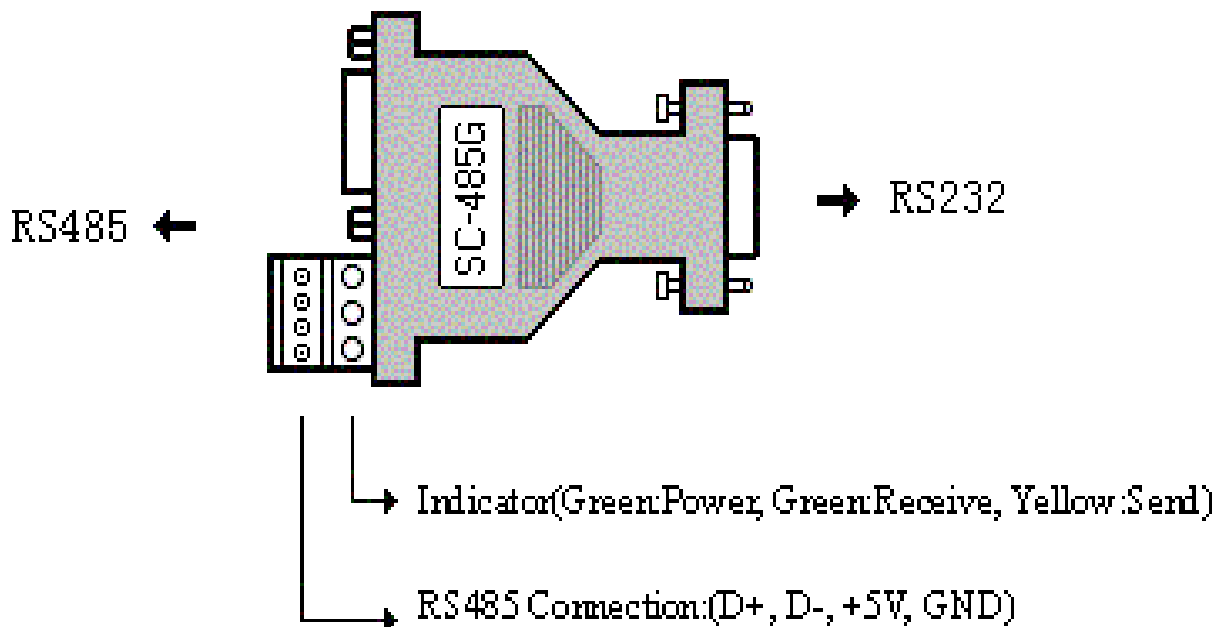


SC-485G: RS232/RS485 Optical Isolated Signal Converter Manual

SC-485G is used to convert RS232 to RS485 signal, optical isolated. This product need to be supplied with a 5V power source, connect to the RS485 side. This product use unique technology so there is no signal data delay, auto send, receive, transfer, auto tune function. Also, embedded within the converter is circuit for static protection, current surge protection. Also, come with indication light for power, send, receive status.

Major Spec:

- 1) Suitable for any standard RS232 port. Uses only TXD, RXD, GND wiring.
- 2) Need external 5 VDC, 100mA power supply (RS485 side).
- 3) Optical isolation feature: 700V continuous or 3500 sporadic.
- 4) Max communication distance is 3000M (4800bps), 2000M(9600bps).
- 5) Max point in a network connection is 32.
- 6) Max speed is 28.8Kbps, auto tune.
- 7) Can with stand up to 600W momentary over voltage. Have static,, current surge protection.
- 8) Working temperature: -20 – 70C
- 9) RS-232 side is standard DB9F connection. RS-485 side is standard DB9M connection or terminal block.
- 10) Size: 75X55X17mm



RS-485 side terminal block and pin configuration:

Terminal Block	DB9M Pin	Description
D+	3	RS-485+
D-	8	RS-485-
+5V	6	To 5 VDC +
GND	5	To 5 VDC - (RS-485 Ground)

* Please note that when communication distance is over 50M, need to put a terminal resistor between RS-485's D+ and D- terminal point.