

RS232 to 4 x RS485 Isolated Hub
Model MWE485H4



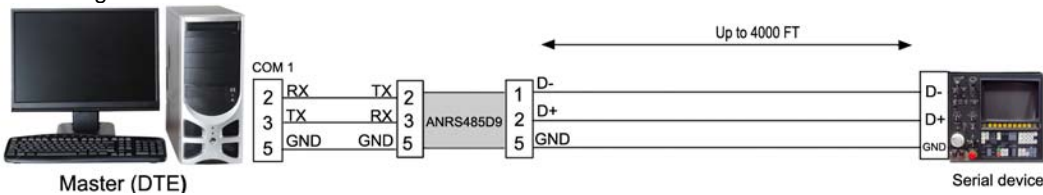
The MWE485H4 is a bi-directional RS-232 to 4-port RS-485 optical isolated converter for general industrial and commercial use. The input port can be configured as either RS232 or RS485 and the 4 output ports are RS485 ports. The output ports are optically isolated from the input ports. DIN rail mounts makes it easy to install this unit. This converter must be powered by an external 5 - 30VDC power supply which is included.

| Interface A | |
|-------------|-----------|
| Pin no. | RS232/485 |
| 1 | TX |
| 2 | RX |
| 3 | GND |
| 4 | D+ |
| 5 | D- |
| 6 | GND |
| 7 | |
| 8 | |
| 9 | |
| 10 | |

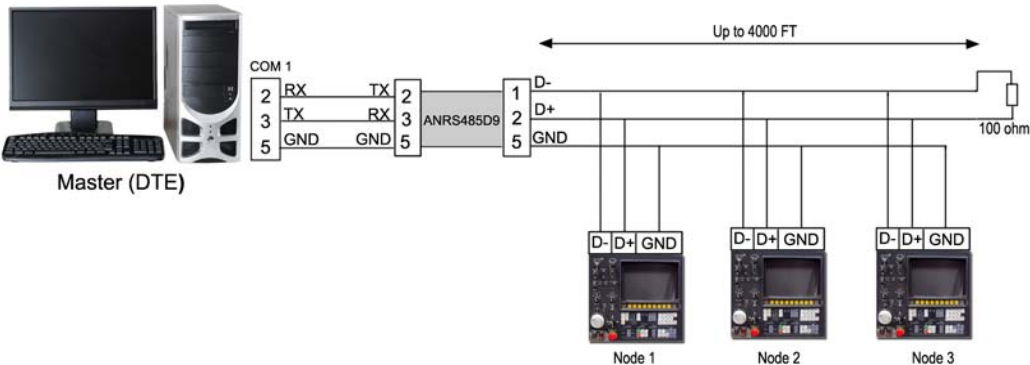
| Interface B | |
|-------------|--------|
| Pin no. | RS485 |
| 1 | D+ (1) |
| 2 | D- (1) |
| 3 | GND |
| 4 | D+ (2) |
| 5 | D- (2) |
| 6 | D+ (3) |
| 7 | D- (3) |
| 8 | GND |
| 9 | D+ (4) |
| 10 | D- (4) |

| SPECIFICATIONS | |
|---------------------------------|--|
| Model number | MWE485H4 |
| Indication LED lights | Power, TX, RX |
| Baud rate | 300 - 115200bps |
| Power | External power: 5 - 30VDC |
| Current | < 20mA |
| Interface A: 1 x RS232/RS485 | Screw terminal |
| Interface B: 4 x RS485 | Screw terminal |
| Isolation voltage | 2500V |
| Clamping voltage | 7 ~ 8V |
| ESD protection | 15KV, 600W/ms |
| Standards | EIA/TIA RS-232C / RS485 |
| Transmission distance | RS232: Typical: 15 FT (5m) RS485: Typical: 4000 FT. (1200m) |
| Handshake / flow control | Automatic Send Data Control |
| Certifications | CE, FCC, RoHS ISO 9001 Certified |
| Operating Temp. | -45°C to 85°C |
| Installation | DIM mount / Screws |
| Operating humidity | 5% To 95% - No Condensation |
| Warranty | 5-year Limited Warranty |

Extending communication distance with RS485



Master/Slave Multi-drop configuration with RS485



To access technical support, please visit the U.S. Converters website at:
www.USconverters.com
Here you will find:

- Latest drivers and updates for download
- Technical tips
- Documentation
- Configuration support
- and much more...

Feel free to contact our technical support team at mail@usconverters.com with any issues.

Copyrights © U.S. Converters 2006 - 2010