

RS232 to RS485 / RS422 Isolated Converter
Part no. ATC-105

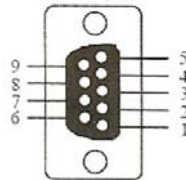


Optical isolated RS232 to RS485/RS422 converter. Great for uses where static electricity and surge protection is an issue. Protects effectively against spikes, over voltages and ground loops with up to 3500V isolation. It needs a 9VDC external power supply for the RS485/RS422 side and works with no data delay and Automatic Send Data Control. The RS232 side is powered from the TX, RX and DTR signals. Indication lights for power, send and receive status

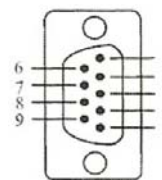
DB9 Female (PC)	RS232
1	DCD
2	TXD
3	RXD
4	DTR
5	GND
6	DSR
7	RTS
8	CTS
9	RI

DB9 Male (Device)	RS485	RS422
1	D+	TX+
2	D-	TX-
3		RX-
4		RX+
5		GND
6		5-12VDC
7		
8		
9		

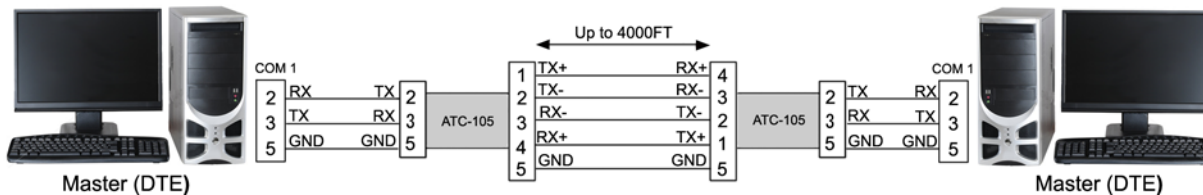
DB9 Female



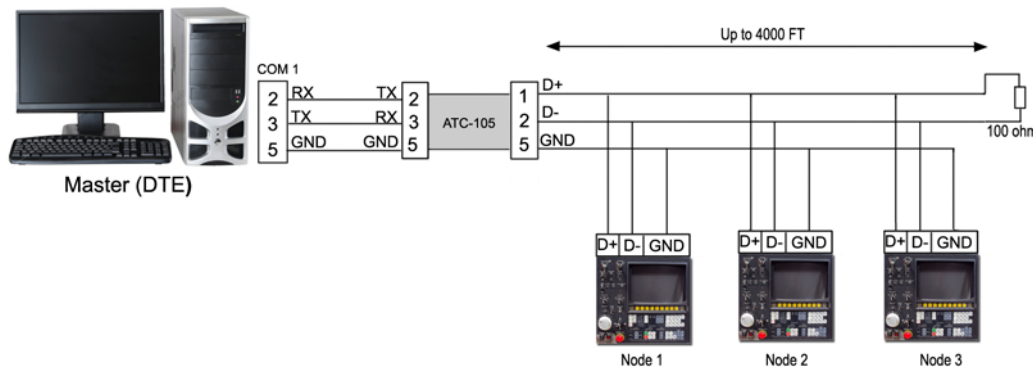
DB9 Male



Extending communication distance with RS422



Master/Slave Multi-drop configuration with RS485



SPECIFICATIONS	
Model number	ATC-105
Baud rate	300 - 115200bps
Power	9VDC 200mA external power supply for RS485/RS422
Supported signals	TXD, RXD and GND
Interface RS232	DB9 female connector
Interface RS422/485	Screw terminals
Working mode	4-wire RS422 full-duplex , 2-wire RS485 half-duplex
LED lights	Indication lights for TX, RX and Power
DTE/DCE	Selectable by switch
RS485 / RS422	Selectable by switch
Standards	EIA/TIA RS-232C / RS422/485
Transmission distance	RS232: Typical: 15 FT RS422/485: Typical: 4000 FT
Optical isolation	3500V
Static and protection	1500W, 600W/ms by TVS
Handshake / flow control	Automatic
Certifications	CE, FCC, RoHS ISO9001, WEEE
Operating Temp.	-25°C to 70°C
Operating humidity	5% To 95% - No Condensation
Dimensions	8 x 75 x 20mm
Warranty	5-year Limited Warranty
ECCN	4A994.a
Schedule B	8471.80.1000
HTS	8517.18.0050

To access technical support, please visit the U.S. Converters website at: www.USconverters.com
Here you will find:

- Latest drivers and updates for download
- Technical tips
- Documentation
- Configuration support
- and much more...

Feel free to contact our technical support team at mail@usconverters.com with any issues.