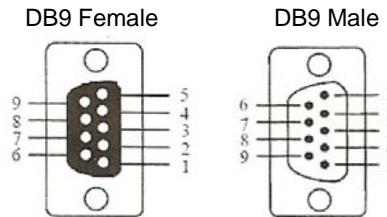


RS232 to RS485 Converter
Part no. ANRS485D9



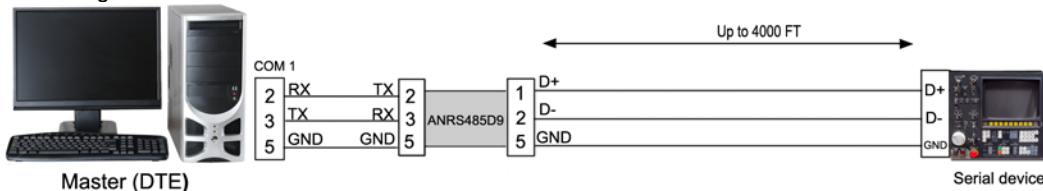
This bi-directional RS232 to RS485 converter is port-powered with an optional external power supply terminal. An internal amplifier supplies power from the RS232 port without initializing the RS232 interface. If the RS232 port is not capable of supplying sufficient power, the external power supply can easily be connected. It supports 2-wire RS485 communications of up to 300 - 115200bps in half-duplex. A simple and reliable solution for most general and industrial communication needs.

Pin no.	DB9 Female RS232 (PC)	Pin no.	DB9 Male RS485 (Device)	Terminal board
1	DCD	1	D+	D+
2	TXD	2	D-	D-
3	RXD	3		GND
4	DTR	4		5 - 12V
5	GND	5	GND	
6	DSR	6	5 - 12V	
7	RTS	7		
8	CTS	8		
9		9		

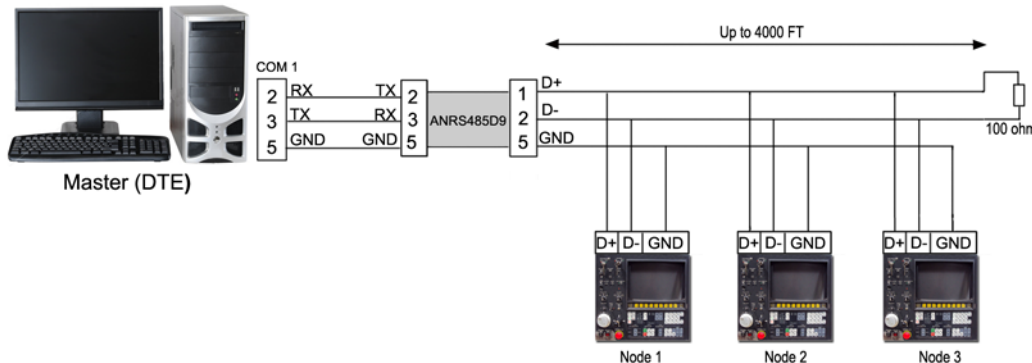


SPECIFICATIONS	
Model number	RS485D9
Baud rate	300 - 115200bps
Power	Port-powered from RS232 (RTS, DTR, TXD) Optional external power: 5 - 12VDC
Current consumption	< 10mA
Interface RS232	DB9 female connector Pins 7 (RTS) and 8 (CTS) are tied together. Pins 4 (DTR), 6 (DSR), and 1 (CD) are tied together.
Interface RS485	DB9 male / terminal board
Working mode	2-wire RS485 asynchronous half-duplex
Standards	EIA/TIA RS-232C / RS485
Transmission distance	RS232: Typical: 15 FT (5m) RS485: Typical: 4000 FT. (1200m)
Static and protection	1500W, 600W/ms
Handshake / flow control	Automatic Send Data Control
Certifications	CE, FCC, RoHS ISO 9001 Certified
Operating Temp.	-40°F to 180°F (-40°C to 85°C)
Operating humidity	5% To 95% - No Condensation
Dimensions	2.47" x 1.33" x 0.70" (62.8 mm x 33.8 mm x 17.8 mm)
Warranty	5-year Limited Warranty
ECCN	4A994.a
Schedule B	8471.80.1000
HTS	8517.18.0050

Extending communication distance with RS485



Master/Slave Multi-drop configuration with RS485



To access technical support, please visit the U.S. Converters website at:
www.USconverters.com
Here you will find:

- Latest drivers and updates for download
- Technical tips
- Documentation
- Configuration support
- and much more...

Feel free to contact our technical support team at mail@usconverters.com with any issues.