

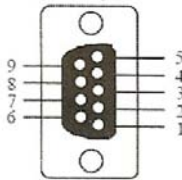
RS232 to RS485/422 Converter
Part no. ANRS485422



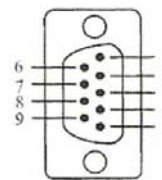
This bi-directional combined RS232 to RS485/422 converter is port-powered with an optional external power supply terminal. An internal amplifier supplies power from the RS232 port without initializing the RS232 interface. If the RS232 port is not capable of supplying sufficient power, the external power supply can easily be connected. It supports 2-wire RS485 and 4-wire RS422 communications of up to 300 - 115200bps. A simple and reliable solution for most general and industrial communication needs.

Pin no.	DB9 Female RS232	Pin no.	DB9 Male RS485	DB9 Male RS422
1	DCD	1	D+	TX+
2	TXD	2	D-	TX-
3	RXD	3		RX+
4	DTR	4		RX-
5	GND	5	GND	GND
6	DSR	6	5 VDC	5VDC
7	RTS	7		
8	CTS	8		
9	RI	9		

DB9 Female

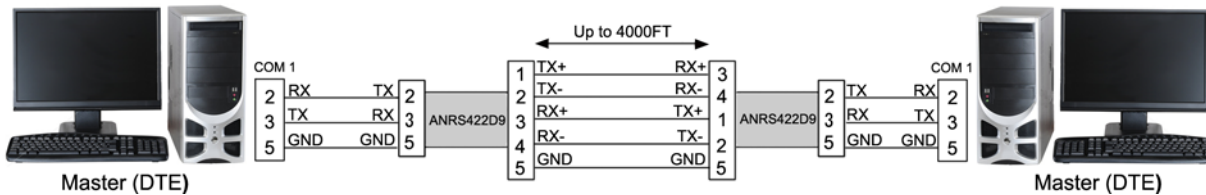


DB9 Male

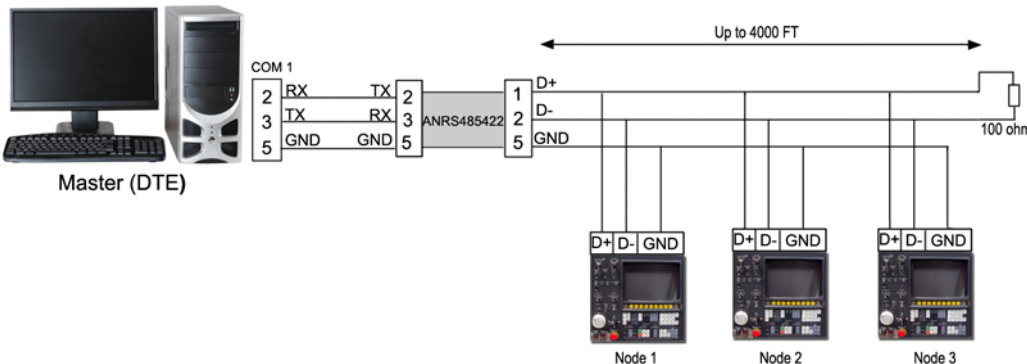


SPECIFICATIONS	
Model number	RS485422
Baud rate	300 - 115200bps
Power	Port-powered from RS232 (RTS, DTR, TXD). Optional external power: 5 - 12VDC
Current consumption	< 10mA
Interface RS232	DB9 female connector
Interface RS485/422	DB9 male / terminal board
Working mode	2-wire RS485 half-duplex and 4-wire RS422 full-duplex
Standards	EIA/TIA RS-232C / RS485 / RS422
Transmission distance	RS232: Typical: 15 FT RS485/422: Typical: 4000 FT.
Static and protection	1500W, 600W/ms
Handshake / flow control	Automatic Send Data Control
Certifications	CE, FCC, RoHS ISO 9001 Certified
Operating Temp.	-40°F to 180°F (-40°C to 85°C)
Operating humidity	5% To 95% - No Condensation
Dimensions	2.47" x 1.33" x 0.70" (62.8 mm x 33.8 mm x 17.8 mm)
Warranty	5-year Limited Warranty
ECCN	4A994.a
Schedule B	8471.80.1000
HTS	8517.18.0050

Extending communication distance with RS422



Master/Slave Multi-drop configuration with RS485



To access technical support, please visit the U.S. Converters website at: www.USconverters.com
Here you will find:

- Latest drivers and updates for download
- Technical tips
- Documentation
- Configuration support
- and much more...

Feel free to contact our technical support team at mail@usconverters.com with any issues.

Copyrights © U.S. Converters