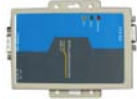


RS232 to RS485/RS422
Industrial Isolated converter
Part no. AN2108C



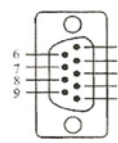
This optically isolated RS232 to RS485/RS422 converter is an industrial grade converter which can be used for most general data conversion purposes.

The unit converts RS232 signals to half-duplex RS485 or full-duplex RS422, with the internal circuitry automatically detecting which signal is connected. Automatic Send Data Control is enabled which means no software drivers are needed.

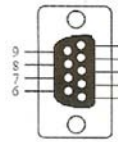
The RS232 interface is a standard DB9 female connector and the RS485/RS422 side is a DB9 male connector with an included screw terminal board for easy connection of single wires. The AN2108C uses an external 9VDC power supply which is included.

DB9 Female	RS232
1	DCD
2	TXD
3	RXD
4	DTR
5	GND
6	DSR
7	RTS
8	CTS
9	

DB9 Male



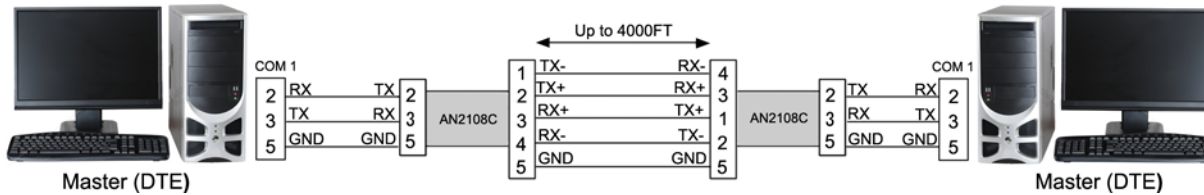
DB9 Female



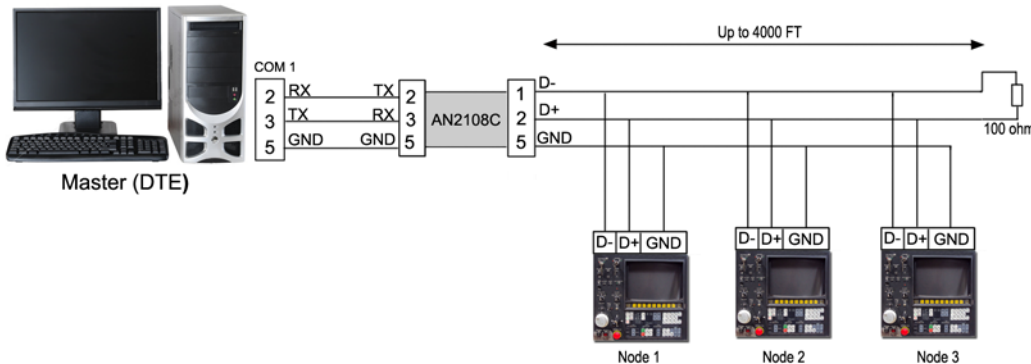
DB9 Male	RS485 Male	RS422 Male	Terminal board
1	D-	T-	TX+
2	D+	T+	TX-
3		R+	RX+
4		R-	RX-
5	GND	GND	GND
6	9VDC		9VDC
7			
8			
9			

SPECIFICATIONS	
Model number	AN2108C
Baud rate	300 - 115200bps
Power	External 9VDC 1000mA
Control LED's	TX, RX, Power
Interface RS232	DB9 female connector
Interface RS485/422	DB9 male connector and terminal board
Working modes	2-wire RS485 half-duplex 4-wire RS422 full-duplex
Standards	EIA/TIA RS232/RS422/RS485
Optical isolation:	2.5KV pulse 500V continuous
Static and surge protection	1500W / 15KV
Handshake / flow control	Automatic
Certifications	CE, FCC, RoHS ISO 9001 Certified
Operating Temp.	-40°F to 180°F (-40°C to 85°C)
Operating humidity	5% To 95% - No Condensation
Dimensions	93mm x 23mm x 62mm
Warranty	5-year Limited Warranty
ECCN	4A994.a
Schedule B	8471.80.1000
HTS	8517.18.0050

Extending communication distance in RS422 mode:



Master/Slave Multi-drop configuration in RS485 mode:



To access technical support, please visit the U.S. Converters website at: www.USconverters.com
Here you will find:

- Latest drivers and updates for download
- Technical tips
- Documentation
- Configuration support
- and much more...

Feel free to contact our technical support team at mail@usconverters.com with any issues.